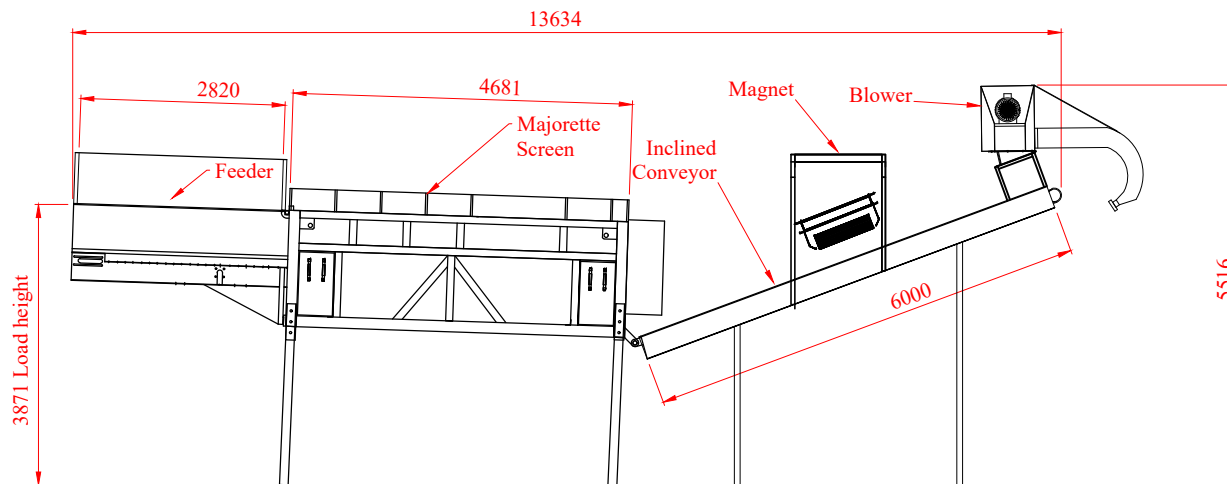
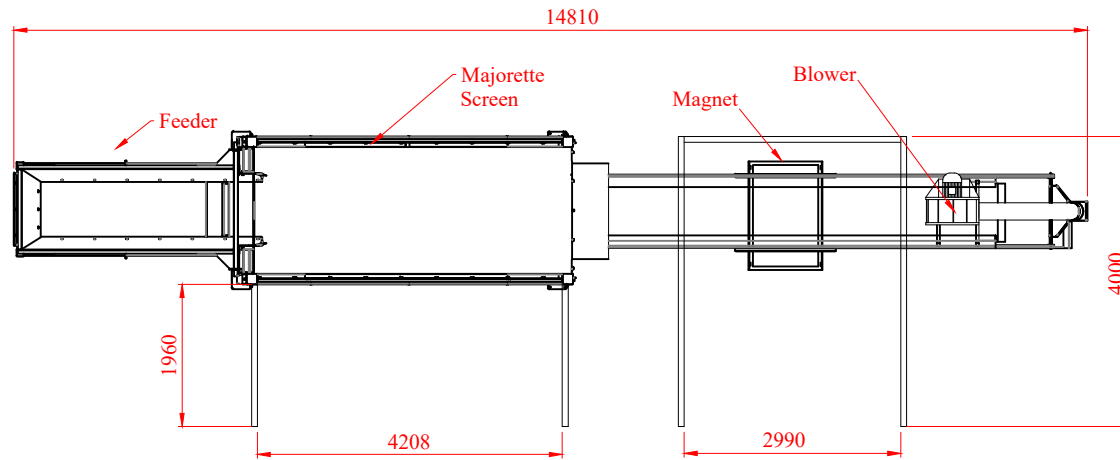


Date:	Issue:	Description:	Drawn:	Authorised:
08-09-20	P.	Issued for comments.	PG	
			PG	
			PG	



Validated:	Customer:	Project I.D: Majorette Fines Screen Project Address: T.B.A	BAUGHAN BARREL SCREENS OAK FARM UPPER BODDINGTON DAVENTRY NORTHANTS NN11 6DW	Scale: N.T.S Tolerance: ± 10 Drawn: PG Checked: Date: 08/09/2020	Drawing Title: PROPOSED PLAN VIEW Drawing No: CPS-809	Issue: B
Director		ALL MILD STEEL, GRADE 43A TO BS4360 ALL WELDS MINIMUM 6mm CONTINUOUS FILLET UNLESS STATED DIFFERENT. ALL BOLTS GRADE 8.8 MINOR ERECTION DAMAGE MADE GOOD WITH HIGH BUILD PRIMER / PAINT.				